

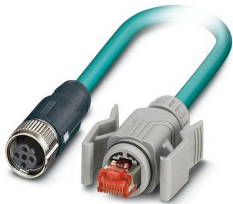
NBC-FSD/ 5,0-93E/R4MC SCO - Network cable



1407390

<https://www.phoenixcontact.com/us/products/1407390>

Please be informed that the data shown in this PDF document is generated from our online catalog. Please find the complete data in the user documentation. Our general terms of use for downloads are valid.



Network cable, Ethernet CAT5 (100 Mbps), 4-position, shielded, Socket straight M12 SPEEDCON, coding: D / IP67, on Plug straight RJ45 Clip locking / IP67, cable length: 5 m

Commercial data

| | |
|--------------------------------------|---------------------|
| Item number | 1407390 |
| Packing unit | 1 pc |
| Minimum order quantity | 1 pc |
| Sales key | BF04 |
| Product key | BF1CJI |
| Catalog page | Page 399 (C-2-2019) |
| GTIN | 4046356775182 |
| Weight per piece (including packing) | 251.8 g |
| Weight per piece (excluding packing) | 251.8 g |
| Customs tariff number | 85444210 |
| Country of origin | PL |

1407390

<https://www.phoenixcontact.com/us/products/1407390>

Technical data

Notes

| | |
|---------|---|
| General | Further products with variable cable type and variable cable length can be found in the accessories section |
|---------|---|

Product properties

| | |
|---------------------|-------------------------|
| Product type | Data cable preassembled |
| Sensor type | Ethernet |
| Number of positions | 4 |
| Application | Standard |
| Shielded | yes |
| Coding | D |

Interfaces

| | |
|----------------------|-------------------------------------|
| Bus system | Ethernet |
| Signal type/category | Ethernet CAT5 (IEC 11801), 100 Mbps |

Signaling

| | |
|------------------------|----|
| Status display | No |
| Status display present | No |

Electrical properties

| | |
|---|-----------------------|
| Nominal voltage U_N | 48 V AC |
| | 60 V DC |
| Nominal current I_N | 1 A |
| Transmission medium | Copper |
| Transmission characteristics (category) | CAT5 (IEC 11801:2002) |

Material specifications

| | |
|---------------|-----|
| Seal material | NBR |
|---------------|-----|

Connector

Connection 1

| | |
|---------------------|--|
| Type | Socket straight M12 SPEEDCON / IP67 |
| Number of positions | 4 |
| Locking type | SPEEDCON |
| Coding type | D (Data) |
| Handle color | black |
| Material | CuZn (Contact) |
| | Ni/Au (Contact surface) |
| | TPU GF (Contact carriers) |
| | TPU, hardly inflammable, self-extinguishing (Grip) |
| | Zinc die-cast, nickel-plated (Screw connection) |

NBC-FSD/ 5,0-93E/R4MC SCO - Network cable



1407390

<https://www.phoenixcontact.com/us/products/1407390>

| | |
|---------------------------------|------------------|
| Insertion/withdrawal cycles | ≥ 100 |
| Contact resistance | ≤ 5 mΩ |
| Insulation resistance | ≥ 100 MΩ |
| Tightening torque | 0.4 Nm |
| Degree of protection | IP67 |
| Ambient temperature (operation) | -25 °C ... 90 °C |


Connection 2

| | |
|---------------------------------|--|
| Type | Plug straight RJ45 Clip locking / IP67 |
| Number of positions | 4 (8) |
| Locking type | Clip locking |
| Handle color | gray |
| Material | CuSn (Contact) Ni/Au (Contact surface) PC (Contact carriers) PA (Housing) |
| Insertion/withdrawal cycles | ≥ 750 |
| Degree of protection | IP67 |
| Ambient temperature (operation) | -20 °C ... 70 °C |

Cable/line

| | |
|--------------|-----|
| Cable length | 5 m |
|--------------|-----|

Ethernet flexible CAT5, 2-pair [93E]

| | |
|---------------------------------|--|
| Dimensional drawing |  |
| Cable weight | 42 kg/km |
| UL AWM Style | 20963 (80°C/30 V) |
| Wiring standards/regulations | Electrical requirements EN 50288-2-2 |
| Number of positions | 4 |
| Shielded | yes |
| Cable type | Ethernet flexible CAT5, 2-pair [93E] |
| Conductor structure | 2x2xAWG26/7, SF/UTP |
| Signal runtime | 5.3 ns/m |
| Conductor structure signal line | 7x 0.16 mm |
| AWG signal line | 26 |
| Conductor cross section | 2x 2x 0.14 mm ² |
| Wire diameter incl. insulation | 0.98 mm |
| External cable diameter | 6.4 mm ±0.2 mm |

NBC-FSD/ 5,0-93E/R4MC SCO - Network cable



1407390

<https://www.phoenixcontact.com/us/products/1407390>

| | |
|--|---|
| Outer sheath, material | PUR |
| External sheath, color | water blue RAL 5021 |
| Conductor material | Bare Cu litz wires |
| Material wire insulation | Foamed PE |
| Single wire, color | white/orange-orange, white/green-green |
| Thickness, outer sheath | 1.2 mm |
| Twisted pairs | 2 cores to the pair |
| Overall twist | Two pairs with two fillers to the core |
| Optical shield covering | 70 % |
| Insulation resistance | ≥ 500 MΩ*km |
| Coupling resistance | ≤ 100.00 mΩ/m (at 10 MHz) |
| Loop resistance | ≤ 290.00 Ω/km |
| Wave impedance | 100 Ω ±5 Ω (at 100 MHz) |
| Cable capacity | approx. 45 nF/km (at 1 kHz) |
| Nominal voltage, cable | ≤ 100 V (Peak value, not for high-power applications) |
| Test voltage Core/Core | 700 V (50 Hz, 1 min.) |
| Test voltage Core/Shield | 700 V (50 Hz, 1 min.) |
| Current carrying capacity of cable | 2 A (according to DIN VDE 0891-1) |
| Minimum bending radius, fixed installation | 4 x D |
| Minimum bending radius, flexible installation | 8 x D |
| Smallest bending radius, fixed installation | 26 mm |
| Smallest bending radius, movable installation | 52 mm |
| Tensile strength | ≤ 80 N |
| Near end crosstalk attenuation (NEXT) | 65.3 dB (with 1 MHz) |
| | 56.3 dB (at 4 MHz) |
| | 50.3 dB (at 10 MHz) |
| | 47.2 dB (at 16 MHz) |
| | 45.8 dB (at 20 MHz) |
| | 42.9 dB (at 31.25 MHz) |
| | 38.4 dB (at 62.5 MHz) |
| | 35.3 dB (at 100 MHz) |
| Power-summated near end crosstalk attenuation (PSNEXT) | 62.3 dB (with 1 MHz) |
| | 53.3 dB (at 4 MHz) |
| | 47.3 dB (at 10 MHz) |
| | 44.2 dB (at 16 MHz) |
| | 42.8 dB (at 20 MHz) |
| | 39.9 dB (at 31.25 MHz) |
| | 35.4 dB (at 62.5 MHz) |
| | 32.3 dB (at 100 MHz) |
| Return attenuation (RL) | 23 dB (at 4 MHz) |
| | 24.1 dB (at 8 MHz) |
| | 25 dB (at 10 MHz) |
| | 25 dB (at 16 MHz) |
| | 25 dB (at 20 MHz) |

1407390

<https://www.phoenixcontact.com/us/products/1407390>

| | |
|------------------------------------|---|
| Shield attenuation | 23.6 dB (at 31.25 MHz) |
| | 21.5 dB (at 62.5 MHz) |
| | 20.1 dB (at 100 MHz) |
| | 3.2 dB (with 1 MHz) |
| | 6 dB (at 4 MHz) |
| | 9.5 dB (at 10 MHz) |
| | 12.1 dB (at 16 MHz) |
| | 13.6 dB (at 20 MHz) |
| | 17.1 dB (at 31.25 MHz) |
| | 24.8 dB (at 62.5 MHz) |
| 32 dB (at 100 MHz) | |
| Halogen-free | according to IEC 60754-1 |
| Flame resistance | according to IEC 60332-1-2 |
| | in acc. to UL VW1 |
| | in accordance with UN ECE-R 118.03 |
| Resistance to oil | in accordance with EN 60811-2-1 |
| Ambient temperature (operation) | -40 °C ... 80 °C (cable, fixed installation) |
| | -20 °C ... 80 °C (Cable, flexible installation) |
| Ambient temperature (installation) | -20 °C ... 80 °C |

Environmental and real-life conditions

Ambient conditions

| | |
|---------------------------------|-----------------------------------|
| Degree of protection | IP65 (M12 connector) |
| | IP67 (M12 connector) |
| | IP67 (RJ45 connector) |
| | IP65/IP67 |
| Ambient temperature (operation) | -25 °C ... 85 °C (M12 connector) |
| | -25 °C ... 60 °C (RJ45 connector) |

Standards and regulations

M12

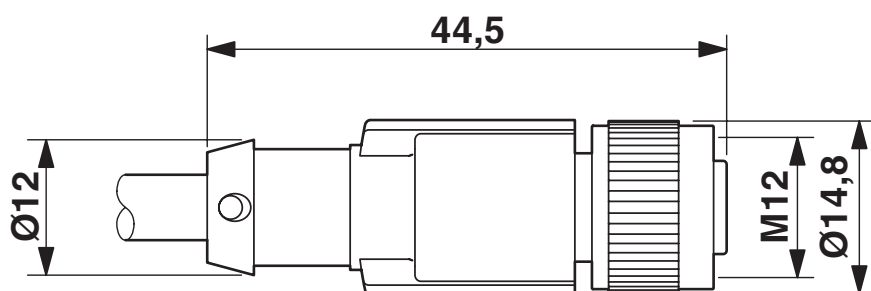
| | |
|--------------------------|-----------------|
| Standard designation | M12 connector |
| Standards/specifications | IEC 61076-2-101 |

1407390

<https://www.phoenixcontact.com/us/products/1407390>

Drawings

Dimensional drawing



M12 x 1 socket, straight, shielded

1407390

<https://www.phoenixcontact.com/us/products/1407390>

Schematic diagram



Connector pin assignment plug RJ45

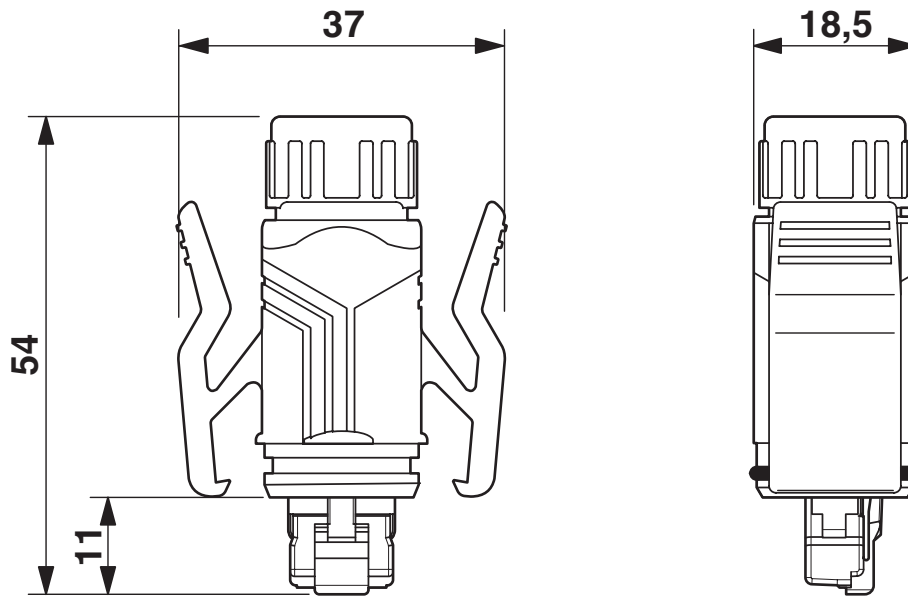
NBC-FSD/ 5,0-93E/R4MC SCO - Network cable



1407390

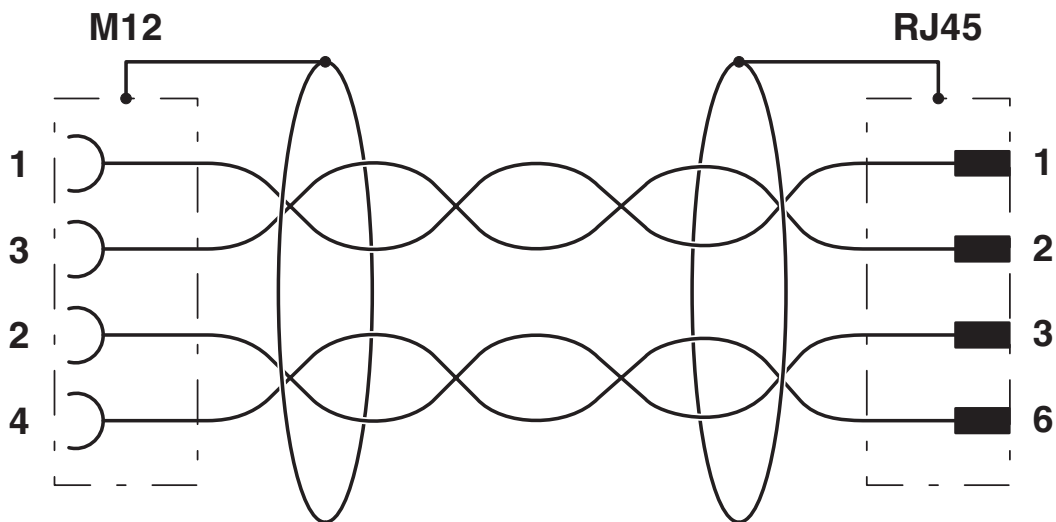
<https://www.phoenixcontact.com/us/products/1407390>

Dimensional drawing



RJ45-connector, IP67

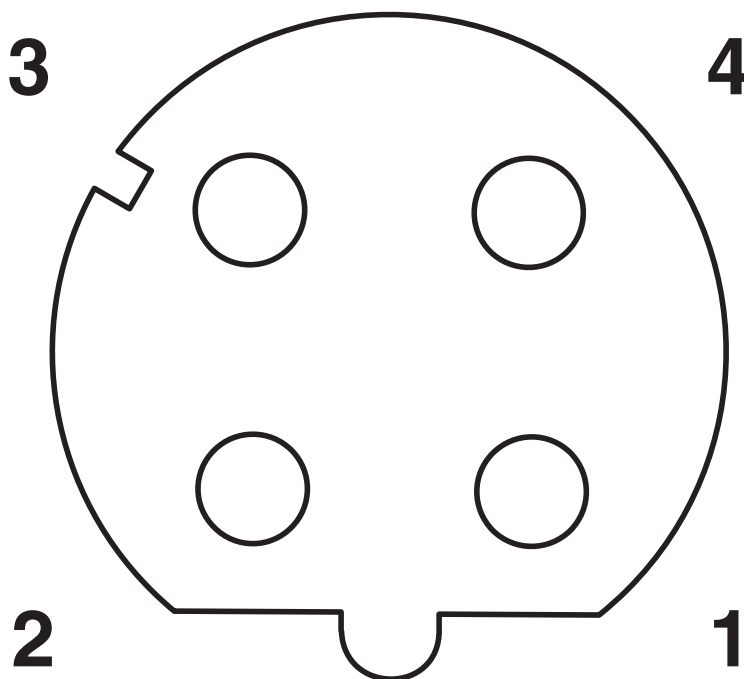
Circuit diagram



1407390

<https://www.phoenixcontact.com/us/products/1407390>

Schematic diagram



Pin assignment M12 socket, 4-pos., D-coded, female side

NBC-FSD/ 5,0-93E/R4MC SCO - Network cable



1407390

<https://www.phoenixcontact.com/us/products/1407390>

Approvals

To download certificates, visit the product detail page: <https://www.phoenixcontact.com/us/products/1407390>



EAC-RoHS

Approval ID: RU D-DE.HB35.B.00387

NBC-FSD/ 5,0-93E/R4MC SCO - Network cable



1407390

<https://www.phoenixcontact.com/us/products/1407390>

Classifications

ECLASS

| | |
|-------------|----------|
| ECLASS-11.0 | 27060307 |
| ECLASS-12.0 | 27060307 |
| ECLASS-13.0 | 27060307 |

ETIM

| | |
|----------|----------|
| ETIM 9.0 | EC001855 |
|----------|----------|

UNSPSC

| | |
|-------------|----------|
| UNSPSC 21.0 | 26121600 |
|-------------|----------|

NBC-FSD/ 5,0-93E/R4MC SCO - Network cable



1407390

<https://www.phoenixcontact.com/us/products/1407390>

Environmental product compliance

| | |
|------------|---|
| China RoHS | Environmentally friendly use period: unlimited = EFUP-e |
| | No hazardous substances above threshold values |

NBC-FSD/ 5,0-93E/R4MC SCO - Network cable



1407390

<https://www.phoenixcontact.com/us/products/1407390>

Accessories

NBC-MSD-R4MC SCO/.../... - Network cable

1408710

<https://www.phoenixcontact.com/us/products/1408710>

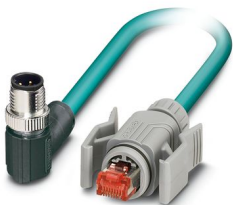


Network cable, Ethernet CAT5 (100 Mbps), 4-position, Variable cable type, shielded, Plug straight M12 SPEEDCON, coding: D / IP67, on Plug straight RJ45 Clip locking / IP67, cable length: Free input (0.2 ... 40.0 m)

NBC-MRD-R4MC SCO/.../... - Network cable

1408703

<https://www.phoenixcontact.com/us/products/1408703>



Network cable, Ethernet CAT5 (100 Mbps), 4-position, Variable cable type, shielded, Plug angled M12 SPEEDCON, coding: D / IP67, on Plug straight RJ45 Clip locking / IP67, cable length: Free input (0.2 ... 40.0 m)

NBC-FSD/ 5,0-93E/R4MC SCO - Network cable

1407390

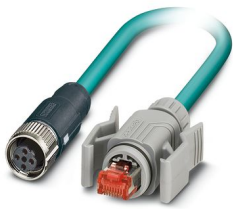
<https://www.phoenixcontact.com/us/products/1407390>



NBC-FSD-R4MC SCO/.../... - Network cable

1408695

<https://www.phoenixcontact.com/us/products/1408695>

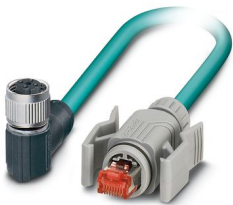


Network cable, Ethernet CAT5 (100 Mbps), 4-position, Variable cable type, shielded, Socket straight M12 SPEEDCON, coding: D / IP67, on Plug straight RJ45 Clip locking / IP67, cable length: Free input (0.2 ... 40.0 m)

NBC-FRD-R4MC SCO/.../... - Network cable

1408688

<https://www.phoenixcontact.com/us/products/1408688>



Network cable, Ethernet CAT5 (100 Mbps), 4-position, Variable cable type, shielded, Socket angled M12 SPEEDCON, coding: D / IP67, on Plug straight RJ45 Clip locking / IP67, cable length: Free input (0.2 ... 40.0 m)

NBC-FSD/ 5,0-93E/R4MC SCO - Network cable

1407390

<https://www.phoenixcontact.com/us/products/1407390>



PROT-M12 MS-PA-CHAIN - Screw plug

1430899

<https://www.phoenixcontact.com/us/products/1430899>

M12 sealing cap with fixing band, for sensor cables, for free M12 sockets



SAC-M12-EXCLIP-F - Locking clip

1558991

<https://www.phoenixcontact.com/us/products/1558991>

Locking clip for the socket side of sensor/actuator cables with M12 connector and M12 connectors for assembly, for knurl diameter: 15 mm or for Allen key with a wrench size of 14 mm, prevents the disconnection of plug-in connections without tools



NBC-FSD/ 5,0-93E/R4MC SCO - Network cable



1407390

<https://www.phoenixcontact.com/us/products/1407390>

TSD 04 SAC - Torque screwdriver

1208429

<https://www.phoenixcontact.com/us/products/1208429>



Torque screwdriver, with preset torque of 0.4 Nm and 4 mm hexagonal drive for M12 connectors

TSD-M 1,2NM - Torque screwdriver

1212224

<https://www.phoenixcontact.com/us/products/1212224>



Torque screw driver, accuracy as per EN ISO 6789 standard, adjustable from 0.3 - 1.2 Nm

NBC-FSD/ 5,0-93E/R4MC SCO - Network cable



1407390

<https://www.phoenixcontact.com/us/products/1407390>

TSD-M SAC-BIT ADAPTER - Adapter insert

1212600

<https://www.phoenixcontact.com/us/products/1212600>



Adapter bit for TSD-M...torque tools, E6.3-1/4" drive with 4 mm hexagon to accommodate SAC bits

SAC BIT M12-D15 - Tool

1208432

<https://www.phoenixcontact.com/us/products/1208432>



Nut for assembling sensor/actuator cables with M12 connector and M12 connectors for assembly, with a knurl diameter of 15 mm, for 4 mm hexagonal drive

Phoenix Contact 2024 © - all rights reserved
<https://www.phoenixcontact.com>

Phoenix Contact USA
586 Fulling Mill Road
Middletown, PA 17057, United States
(+717) 944-1300
info@phoenixcon.com